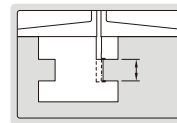
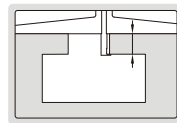
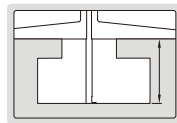
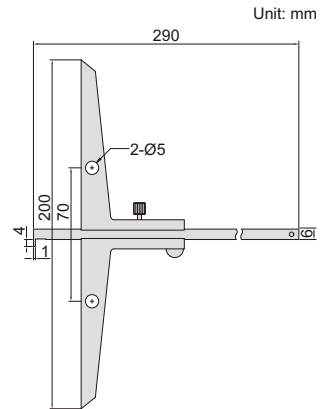


# VERNIER HOOK DEPTH GAGE



1243-2001

- Graduation 0.02mm
- Made of stainless steel
- Satin chrome plating finish on reading surface



Code	Range	Accuracy
1243-2001	0-200mm	±0.04mm